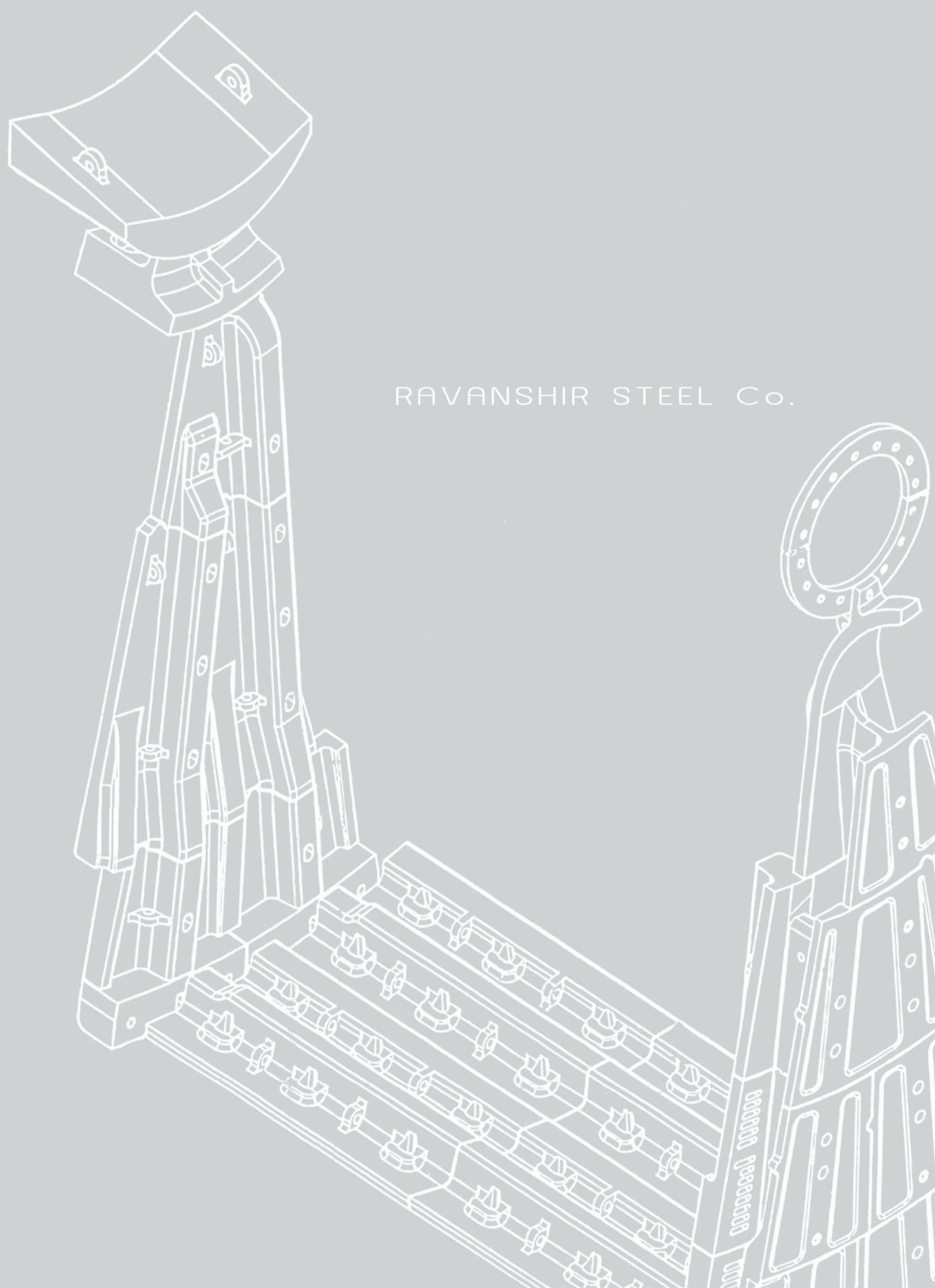




No . 6 , Bahar 2 Alley , South Shiraz St , Molla Sadra St , Tehran , Iran
Postal Code : 1435866468 Tel : +98 2188603240 Fax : +98 21 88069798
Site : www.ravanshir-steel.com Email : info@ravanshir-steel.com

Ravanshir Steel Co
Steel Foundry





RAVANSHIR STEEL Co.

RAVANSHIR STEEL Co.

Index

About Us

Quality Policy

Certificate and Honors

Production and quality control systems

Process equipment

- Mining industry (mining machinery, mills,

Pumps, crusher, etc.)

- Cement industry (mills, crushers, etc.)

- Other industries ...

Ravanshir Steel Analysis

Our projects and Customers

About Us

Ravanshir Steel Company was founded in 1985 and put into operation, four years later in 1989. For more than three decades, Ravanshir Steel Company has been one of the leading suppliers of equipment for pelletizing factories, the cement & steel industries, and mineral processing (iron, copper, aluminum, lead, and zinc). In addition to quantitative growth, managers of this company strongly believe in the qualitative growth of our products by implementing ISO 9001-2015 certificate, which resulted in high customer satisfaction.

At Ravanshir Steel Company our mission is to provide our customers with the high-quality products they are looking for. We understand the importance of customer satisfaction and our team is dedicated to delivering first-class customer service.

Our on-site laboratory equipped with precise testing tools and also collaborations with the most prestigious scientific institutions in Iran, allow Ravanshir steel company to meticulously control various steps of the production line and provide our customers with the first-rate products.

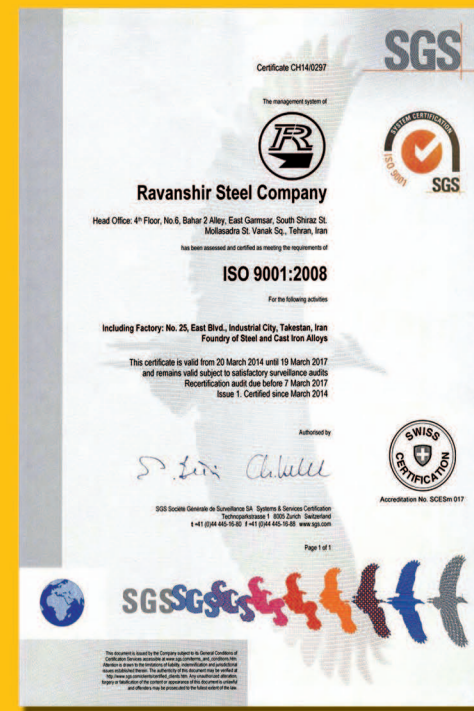
The secret of our success

Continuous training of employees, using up-to-date science, and utilizing modern machines have helped us in increasing productivity as well as introducing new concepts of quality. During these decades, our efforts have been based on honesty and we have never stopped trying and hardworking so we have always kept ourselves among the top companies with the highest variety of products in the casting industry in Iran.



RAVANSHIR STEEL Co.

Ravanshir Steel Company is one of Iran's leading foundries and engineering service providers to a wide range of customers domestically and across the Middle East.



Production and Quality Control system (QC)

RSF's name has become synonymous with quality. We conduct technical analyses and quality control on each manufactured part in laboratories outfitted with cutting-edge measurement instruments.

We have highly educated engineers who got their expertise by working on our customers' sites and exactly know the best materials and designs for the requested service by our customers.

We take the time to investigate where and how the castings are used and where they get machined so we can fully comprehend what is the customers' expectations and what is the most important to them.

Sales and production policies terms and conditions of Ravanshir steel foundry are as follows:

Listening to and respecting our customers as well as our proposition to enhance the quality of our products and increase customer satisfaction, as well as checking on the performance, durability, and quality of our products with our customers even after the delivery of our parts.

The following is the production procedure:

1. Checking the technical documents by the research and technical staff and choosing the appropriate engineering materials for the production based on the customer's specifications.
2. Scheduling the progress of the project
3. Technology design using software such as AutoCAD, CATIA, and ProCast.
4. Pattern-making and molding (if needed) using modern facilities such as two 3-axis CNC machines & three 3D printers.
5. Preparation of the production package (including the production instructions, product numbering, technical drawings, and instructions for carrying out the required tests for the part's final approval)
6. Sampling: for the final approval of the pattern and product
7. Sample Quality Control
8. Sample initial delivery to the customer, and If the customer accepts the sample:
9. Mass Production
 - >>Molding >>Casting and Cleaning >>Heat Treatment
 - >>Initial Control >>Machining (if needed) >>Final control
10. Packaging and delivery to the customer
11. After-Sales Services & Support.



Production equipment and quality control :

Molding:

- . Semi-automatic Sand Molding Line
- . Continuous Mixer
- . Rotational Molding Machine
- . Sand Recovery System
- . Core-making Machine

Casting:

- . Medium-frequency Induction Melting Furnaces with a capacity of up to 10 tons.
- . Ladle with a capacity of 10 tons

Cleaning:

- . Rotational Shot Blast Machine for parts weighed less than 400 kg
- . Vertical Shot Blast Machine for parts with a weight of more than 500 kg
- . Cleaning and Grinding section

Heat treatment:

- . Two Programmable Electric Heat-Treatment Furnaces with a volume of 1.5 m × 2 m × 4 m
- . Nine Diesel Fired Heat-Treatment furnaces with a volume of 1.5 m × 2 m × 4 m
- . Quenching Equipment: Compressed Air Fans and Water Quenching



List	Device	Made in	
Chemical Analysis Laboratory			
1	Spectrometer	England	Hilger
	Sample preparation	Germany	Herzag
Non-destructive testing Laboratory			
2	Ultrasonic USD10	Germany	Krutkeramer
	Ultrasonic Dio562	Czech	Starmans
	PT Test Accessories		
	Portable Hardness Tester	Iran	kopa Pazhohesh
3	Sand Laboratory	England	Gurge-Fisher
4	Metallography Laboratory	Russia	-
5	Static Hardness Tester	Iran	Shegarf abzar



Mining industry - Mining Equipment

Shovels, bulldozers, and excavators have spare parts that are under high abrasion situations in the mine excavating process.

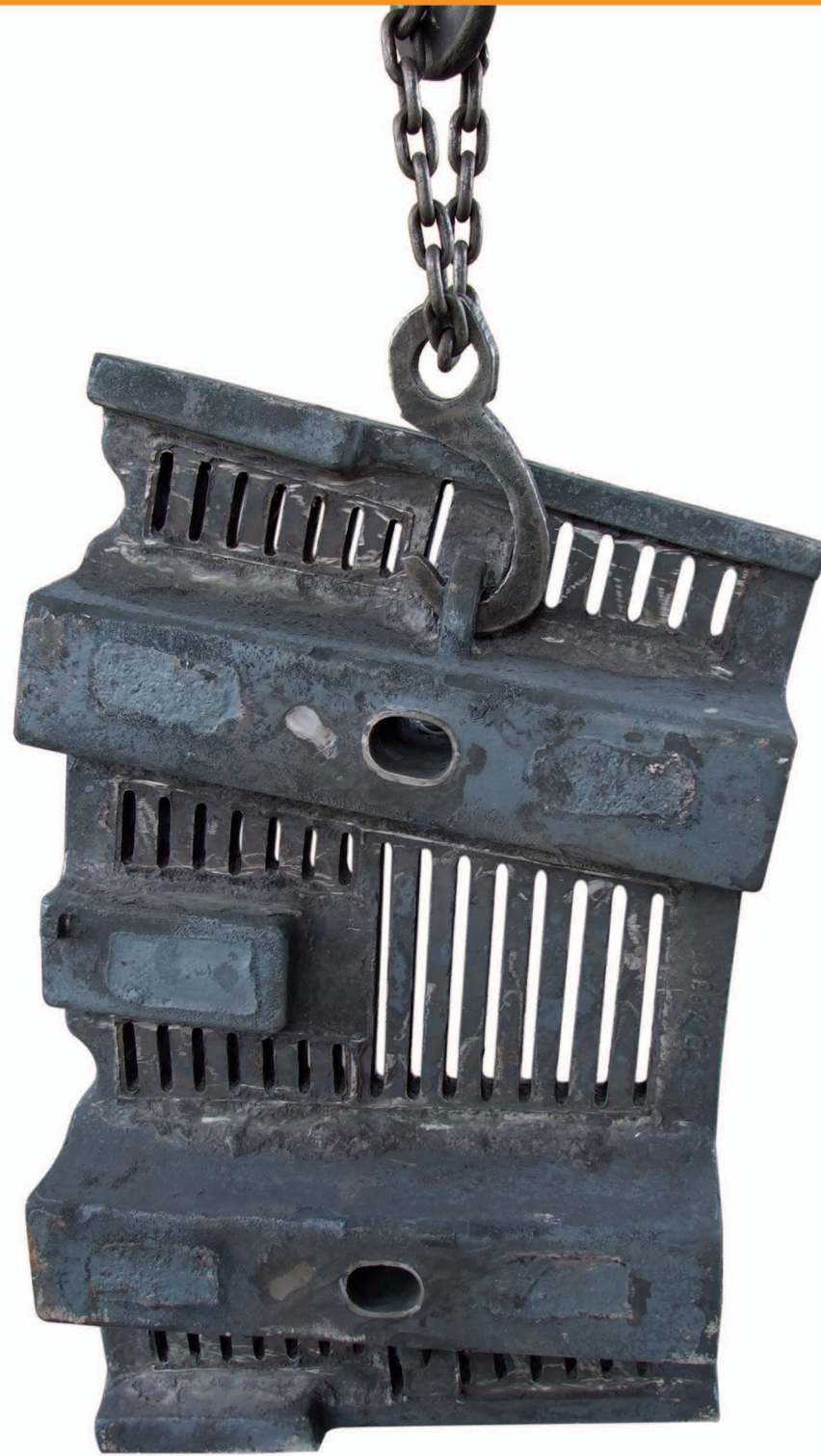
Ravanshir Steel Company produces these spare parts with the highest quality:

- P & H shovel teeth
- All spare parts of the PC4000 hydraulic Shovel and Liebherr shovel 9350 including Teeth, Shroud, and Adapters.
- All Komatsu PC800 Shovel's Bucket spare parts include Teeth, adapter, shroud, and Bucket arms.
- Komatsu 470 loaders Teeth



Shovel & Excavator





Mining Industry - AG & SAG mills

AG (Autogenous)/ SAG (Semi Autogenous) mills are important equipment in the concentration process of mineral ores. To protect the mill's body as well as to help crushing process, mill liners are being used in these mills.

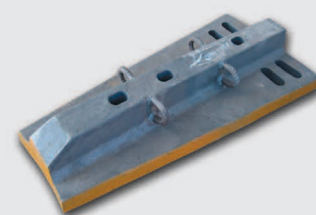
These high-quality parts in this area are made by Ravanshir Steel Company:

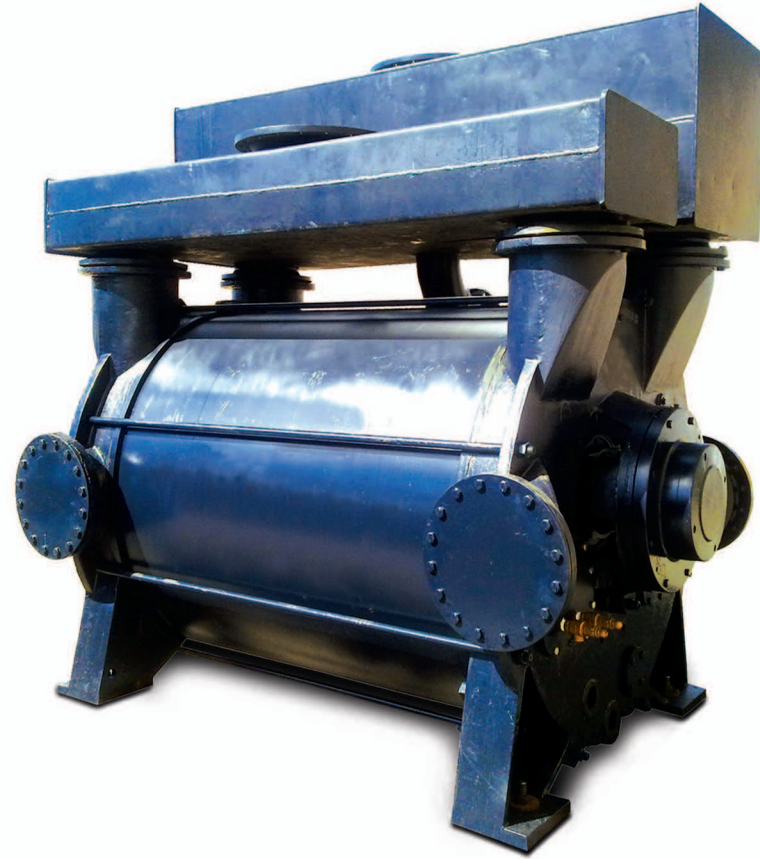
- Inner Feed Head Liner
- Middle Feed Head liner
- Outer Feed Head Liner
- Shell Liner
- Middle Discharger
- Outer Discharger
- Inner Discharger Head Liner
- Middle Grate
- Outer Grate

Continuous improvement of our liners' performance is a result of an ongoing inspection, after-sales services at the customer's site, and the diligent efforts of our knowledgeable employees in the R&D section.



AG & SAG Mill

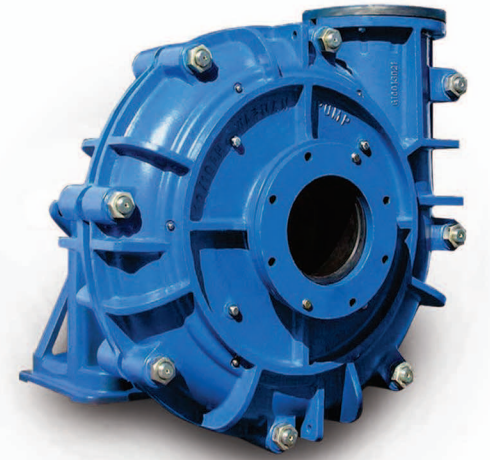




Mining industry-Pumps & Hydrocyclones

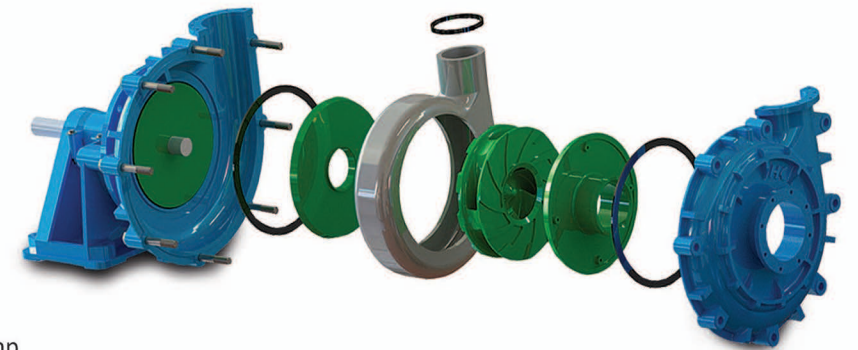
Pumps are one of the main pieces of equipment used in the concentration process of mineral ores to move mixtures of liquid and solids. As these parts work in high abrasion situation , mainly because of abrasive and corrosive fluids which pass through them , they usually are made of high chrome Cast Iron (ASTM A532) and treated in a special heat treatment process to achieve the martensitic structure with about 58-60 HRC hardness and acceptable impact strength.

There are different types of pumps including SALA Slurry Pumps, Warman Slurry Pump (3/2, 4/3, 6/4, 8/6, 10/8, 12/10, 14/12, 16/14), Krebs Slurry Pumps, Vacuum Pumps, Vortex, and Hydrocyclones.

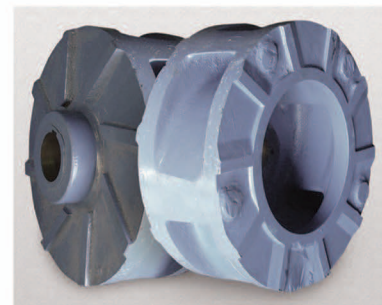


The main Parts manufactured by Ravanshir Steel Company in this area are as follows:

- Casing
- Inlet Liner & Inlet Door
- Bearing Housing
- Impeller
- Lining for Casing
- Expeller, Expeller Ring & Expeller Cover
- Wear Plate
- End Shield for Vacuum Pump
- Fixed Bearing Outer Cap and End Cone for Vacuum Pump
- A Completely assembled Pump (Slurry & Vacuum)



P u m p & H y d r o c y c l o n e s



Mining industry- Crushing and Grinding

Crushers are machines used to reduce the size of rocks, stones, and ores. Jaw, Impact, Cone, Roll and Gyratory crushers are the most common crushers types used in crushing plants.

The main products of Ravanshir Steel Company in this area are as follows:

Jaw Crusher:

- Metso C100 fixed and movable jaws
- Metso C80 fixed and movable jaws
- Different types of fixed and movable jaw plates

Gyratory Crusher:

- Rolling Contact Bush Gyratory Crusher
- Mantle & Concave of Gyratory Crusher (Upper, Middle, Lower)

Cone Crusher:

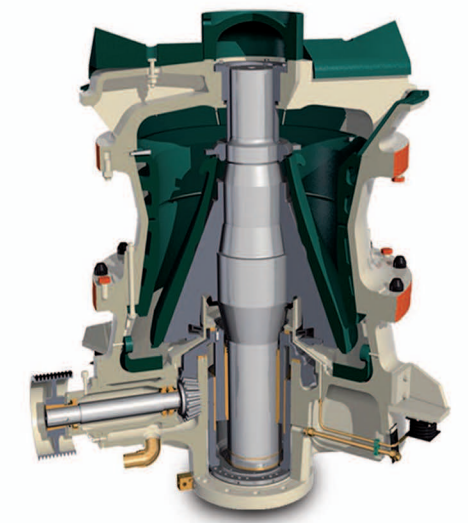
- Metso GP200S - Mantle & Concave
- Sandvik - Mantle & Concave

Impact Crusher:

- Pre-Crusher & Secondary Crusher
- Blow Bar Impact Crusher
- Anvil Qubit Crusher
- Qubit Impact Hammer Crusher, 120 & 180

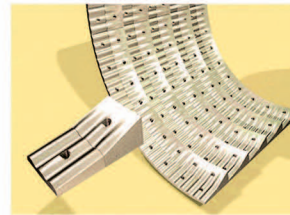
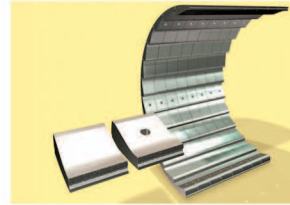
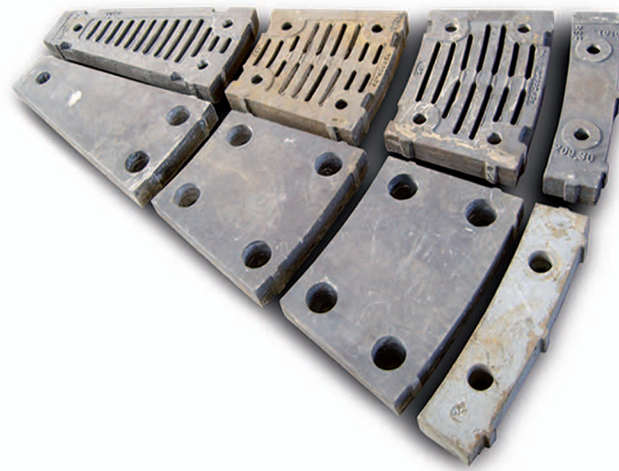
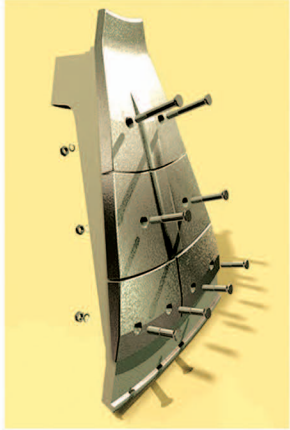
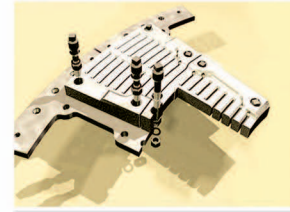
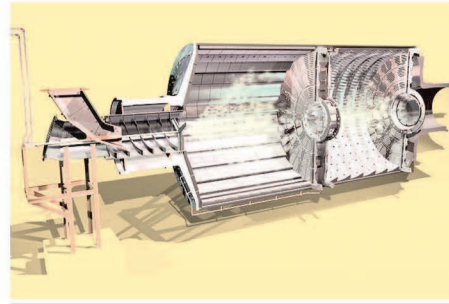
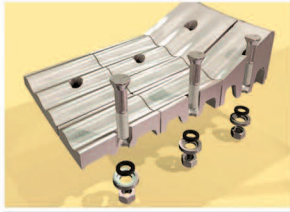
Roll Crusher:

- Raymond Roller Mill



Crusher





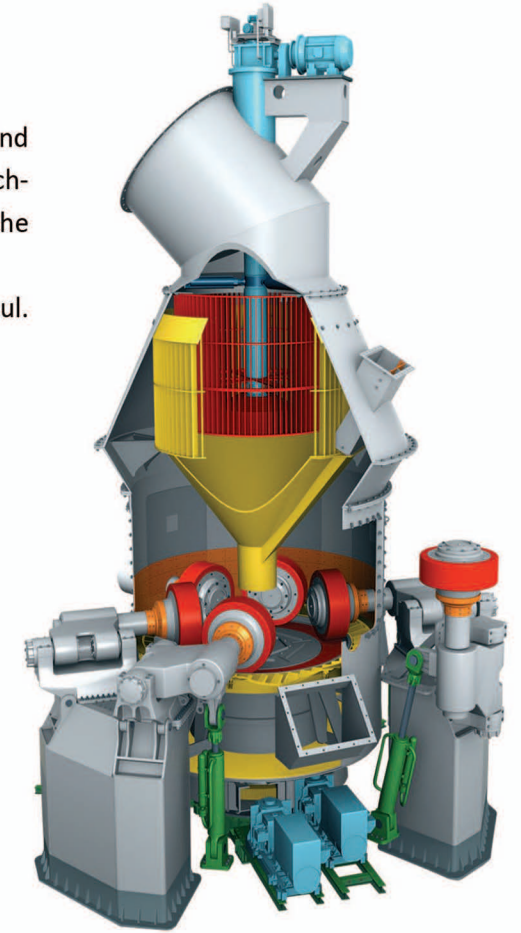
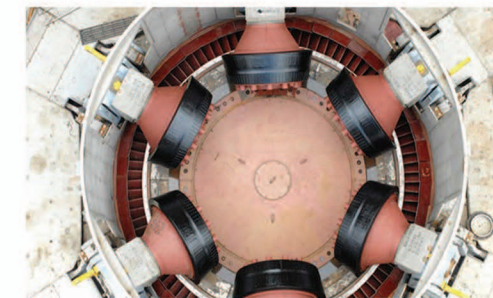
Cement industry - Rollers mill and Ball mill

By sending its engineers and knowledgeable employees to the factories and sites of the cement industry, Ravanshir Steel Company has discovered the technology for manufacturing required parts with the highest quality on the cement production line.

These parts work for more hours and with less maintenance and overhaul. Our ball mill liners are some examples of these parts.

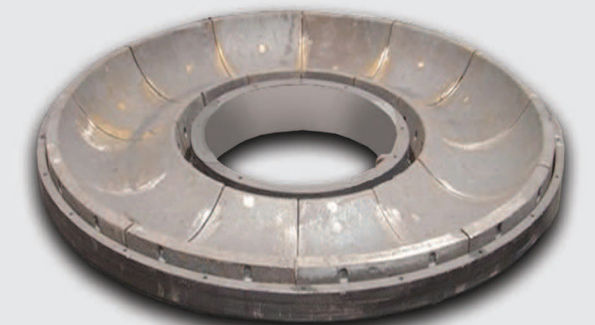
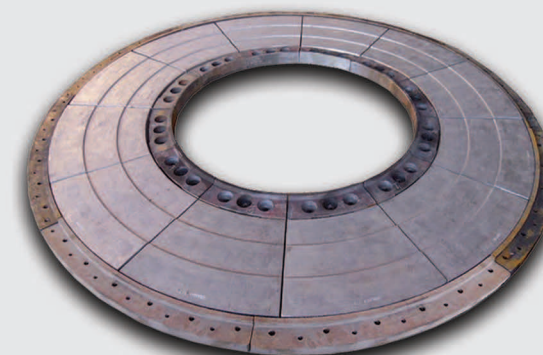
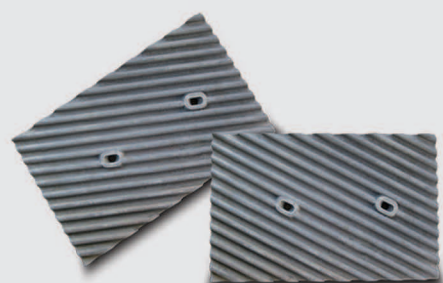
Ravanshir Steel Company's products in this area are as follows:

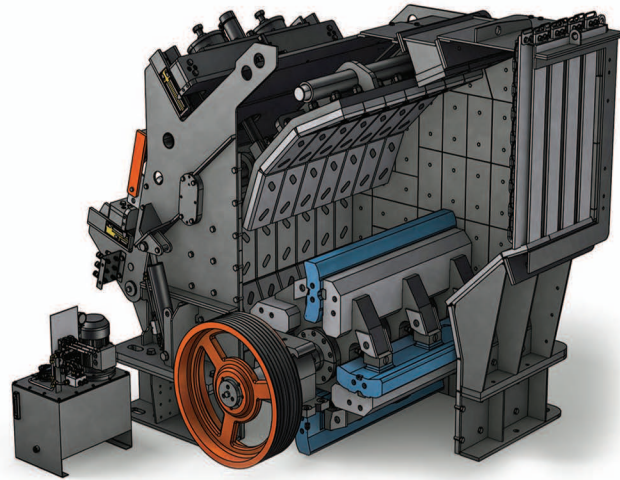
- Ball Mill Plates
- Roller and Ball Mills Liners
- Vertical Roller Mill Spare Parts



Cement ind.

((Row & Ball Mill))



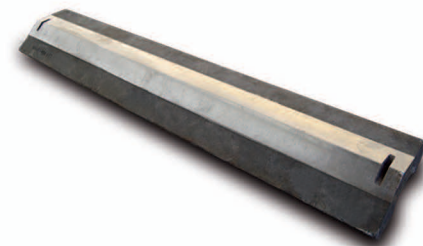
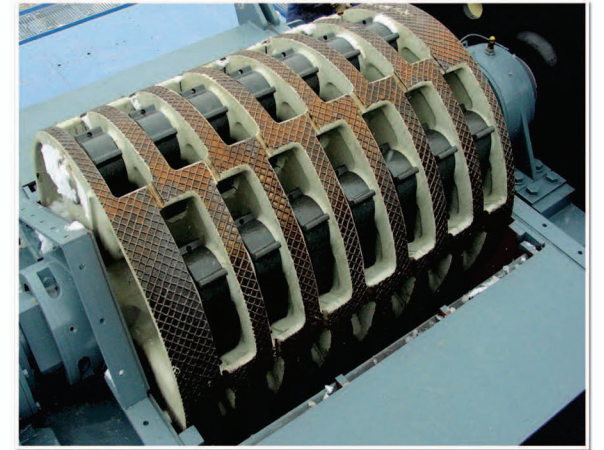


Cement Industry - Crusher and Common parts

We have also manufactured different parts for crushers and other equipment with the longest lifetime and durability.

Ravanshir has been involved in producing the following items in this area:

- Parts of Reclaimer Machines
- Crusher Hammers & Clinker Crusher Hammers
- Grate Baskets
- Cement Mill Liners



Cement ind . ((Crusher & Other ...))



Steel Industries :

Pelletizing and steel companies are two additional sectors that Ravanshir Steel Company has collaborated with them.

Ravanshir Steel Company uses casting, casting and machining, and in addition the entire fabrication process, to produce the spare parts that are used in the equipment used in these industries.

Some of the products of Ravanshir Steel Company in this area:

- Mill Liners used in pelletizing process
- Wall plates
- Slurry Pumps
- Sealing Box
- Packing Gland
- Gears
- Drive Arm
- Spout Feeder



Analysis Products in Ravanshir

Hadfield(Manganese Steel)

Standard	Symbol	Chemical Composition											Group	
		C	Si	Mn	P	S	Cr	Mo	Ni	V	Ti	Mg		Cu
1.3401	-	1.1	0.3	11	-	-	1	0.2	-	-	-	-	-	Austenitic Manganese Steel Casting
		1.3	0.5	14	0.07	-	2.5	0.6	-	-	-	-		

Wear Resistant Steels

WS120	-	0.55	0.4	0.6	0	0	2.15	0.25	-	-	-	-	Wear Resistant Steels
		0.60	0.7	0.8	0.045	0.045	2.25	0.35	-	-	-	-	
WS140	-	0.65	0.4	0.6	0	0	2.15	0.25	-	-	-	-	Wear Resistant Steels
		0.75	0.7	0.8	0.045	0.045	2.25	0.35	-	-	-	-	
WS170	-	0.75	0.4	0.6	0	0	2.15	0.25	-	-	-	-	Wear Resistant Steels
		0.85	0.7	0.8	0.045	0.045	2.25	0.35	-	-	-	-	
RCC	-	1.3	0.4	0.6	0	0	12	0.5	0.2	-	-	-	Wear Resistant Steels
		1.7	0.7	0.8	0.045	0.045	14	0.7	0.3	-	-	-	
Krupp	-	0.45	0.4	0.6	0	0	2	0.5	0.8	-	-	-	Wear Resistant Steels
		0.6	0.7	0.8	0.045	0.045	3	0.7	1.1	-	-	-	

Wear Resistant Cast Irons

A532 Class I-D	Nihard4	2.5	-	-	-	-	7	-	4.5	-	-	-	Abrasion / Resistant Cast Iron
		3.6	2	2	0.1	0.15	11	1.5	7	-	-	-	
A532 Class II-A	12% Cr	2	-	-	-	-	11	-	-	-	-	-	Abrasion / Resistant Cast Iron
		3.3	1.5	2	0.1	0.06	14	3	2.5	-	-	1.2	
0.9650	G.X260Cr27	2.3	0.5	0.5	-	-	24	-	-	-	-	-	Abrasion / Resistant Cast Iron
		2.9	1.5	1.5	-	-	28	1	1.2	-	-	-	
A532 Class III-A	G.X300Cr27	2	-	-	-	-	23	-	-	-	-	-	Abrasion / Resistant Cast Iron
		3.3	1.5	2	0.1	0.06	30	3	2.2	-	-	1.2	
0.6025	GG25	3	1.8	0.46	0.15	0.07	-	-	-	-	-	-	Abrasion / Resistant Cast Iron
		3.25	2.1	0.7	0.25	0.12	-	-	-	-	-	-	
Din 1693	GGG40	3.2	1.8	0.005	0.03	0.03	0.3	-	-	-	-	0.45	Abrasion / Resistant Cast Iron
Din 1693	GGG70	3.7	2.7	0.5	0.07	0.015	-	-	0.85	-	-	0.08	Abrasion / Resistant Cast Iron

Magotteaux Steel

FMU11	-	1.2	-	0.4	Max	Max 0.03	11	0.25	-	-	-	-	Magotteaux
		1.6	-	0.8	0.035	-	12	0.4	-	-	-	-	
FMU12	-	1.8	0.3	0.7	Max	Max 0.03	12	0.25	-	-	-	-	Magotteaux
		2	0.6	0.9	0.04	-	13	0.4	-	-	-	-	
FMU23	-	0.3	0.4	1	Max	Max 0.03	5.5	0.25	-	-	-	-	Magotteaux
		0.4	0.6	1.5	0.035	-	6.5	0.4	-	-	-	-	
FMU29	-	0.3	0.5	1	Max	Max 0.03	6	0.25	-	-	-	-	Magotteaux
		0.4	0.7	1.2	0.035	-	7	0.4	-	-	-	-	

Heat Resisting Steel Casting

1.4837	-	0.3	1	Max 1.5	Max	Max	24	-	-	-	-	-	Heat Resisting
		0.5	2.5	-	0.035	0.03	26	-	-	-	-		
1.4848	-	0.3	1	0.5	0.035	0.045	24	-	19	-	-	-	Heat Resisting
		0.5	2.5	1.5	-	-	26	-	21	-	-	-	
1.4841	-	0.02≥	2	2≥	-	-	25	19.8	20.5	-	-	-	Heat Resisting
1.4828	-	0.02≥	2	2≥	-	-	20	12	12	-	-	-	Heat Resisting
ASTM A297-Gr HP	-	0.35	Max 2.5	Max2	Max	Max	24	Max	33	-	-	-	Heat Resisting
		0.75	-	-	0.04	0.04	28	0.5	37	-	-	-	
ASTM A297-Gr HN	-	0.2	Max 2	Max2	Max	Max	19	Max	23	-	-	-	Heat Resisting
		0.5	-	-	0.04	0.04	23	0.5	27	-	-	-	
1.4745	-	0.3	1	0.5	0.035	0.045	22	-	-	-	-	-	Heat Resisting
		0.5	2.5	1	-	-	24	-	-	-	-	-	

Projects

Since its foundation, Ravanshir Steel Company has been engaged in several projects involving the supply of various parts and equipment to the pelletizing factories, the cement & steel industries, and mineral ore processing (Iron , Copper , Gold , Aluminum, Lead & Zinc).

Some of the Ravanshir Steel Company's Main projects:

- 1-Gold-Processing Plants,Zarshouran & Agh-Darreh Mines: Supplying Ball Mill liners , Slurry Pumps & Crushing Equipments.
- 2-Chadormalu Mining and Industrial Co: Production of all mill liners and part of mining equipment and machinery spare parts.
- 3- Iran Central Iron Ore Co: Producing the Choghart & Sechahun line mill liners as the first Iranian producer and also producing crushing equipment in the Choghart development plan.
- 4-Golgohar Mining and Industrial Co: Producing AG mill liners as the first Iranian producer as well as producing some parts in mining equipment.
- 5- Sarcheshmeh Copper Mine: producing some mining mill liners and mining machinery spare parts.
- 6-Sungun Copper Mine: Producing mill liners.
- 7-Kushk Lead and Zinc Mine: Producing mill and crushing equipment.
- 8-Calcimin Co: Production mining equipment for lead and zinc mining.
- 9- Ardakan Pelletizing Plant: Producing ball mill liners and equipment.
- 10- Iran Alumina Co (in Jajarm): Producing all ball mill liners as well as slurry pumps.
- 11- Sangan Iron Ore Pelletizing Plant, Opal Parsian (EPC): Supplying liners of ball mill , slurry pumps,

Mining Industries

Chadormalu Mining & Industrial Co
 National Iranian Copper Industries Co
 Iran Central Iron Ore Co
 Opal Parsian Sangan Industrial and Mining Co
 Iran Alumina
 Golgohar Mining and Industrial Co
 Sirjan Iranian Steel Co (MIDHCO)
 Zarand Iranian Steel Co (ZISCO)
 Ehya Sepahan Industrial and Mining Co
 Gohar Hamkar Mining & Industrial Co
 Gohar Ravesh Co
 Momtaz Sangshekan Co
 Asfalt Tous Co
 Calcimin Co
 Rebar Construction Co
 Zarshouran Gold Mines and Mineral
 Industries Development Co
 Jalalabad Iron Ore Mine
 Middle East Industry Efficient Productive Co

Cement Industries

Tehran Cement
 Kerman Cement Industry Group
 Zanjan Cement
 Soufian Cement
 Mahan Kerman Cement
 Shargh White Cement Co
 Ardebil Cement & Azarshahr Lime Co
 Abadeh Cement
 Urmia White Cement Co
 Hormozgan Cement
 Kavir Kashan Cement Co
 Kerman Momtazan Cement
 Ilam Cement Company
 Yasuj Cement Co
 Larestan Cement Co
 Omran Anarak Cement Co
 Bojnourd Cement
 Firouzkouh Cement Co (FIKCC)
 Nahavand Cement Co

Steel and Pelletizing Industries

Khuzestan Steel Company (KSC)
 Golgohar Pelletizing Plant
 Ardakan Pelletizing
 Bafgh Pelletizing Plant
 Iranian Ghadir Iron & Steel Co
 Sangan Mining Industries Company
 Khorasan Steel Complex Co
 Arfa Iron and steel Co
 Butia Iranian Steel Company
 Zarand Iranian Steel Co
 Bardsir Steel (MIDHCO)
 IRITEC



RAVANSHIR STEEL Co.

